

UNICITY HI

THE MOST
DISCREET WINDOW

B Sabadell



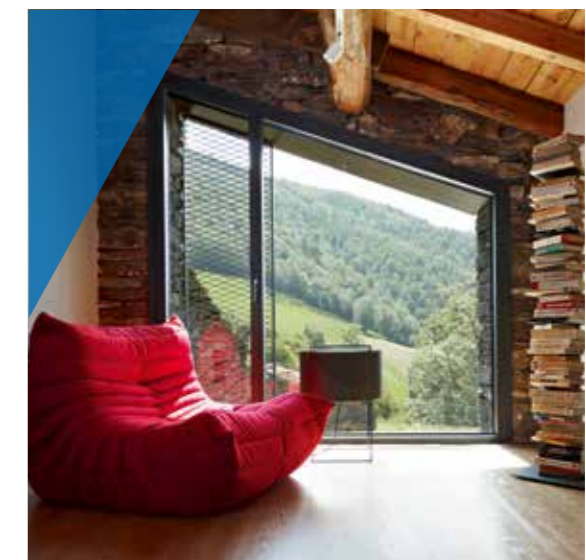
UNICITY HI

/ WHEN DISCRETION
REQUIRES THE DISTINCTION
OF ABSOLUTE ELEGANCE

It is a challenge to ensure a window goes unnoticed from the outside. Thanks to the minimum profile visible, only 55 mm, the building's openings benefit from greater natural light and have an identical external appearance for both fixed and mobile parts. Whatever your configuration, seen from the outside it is always 55 mm.

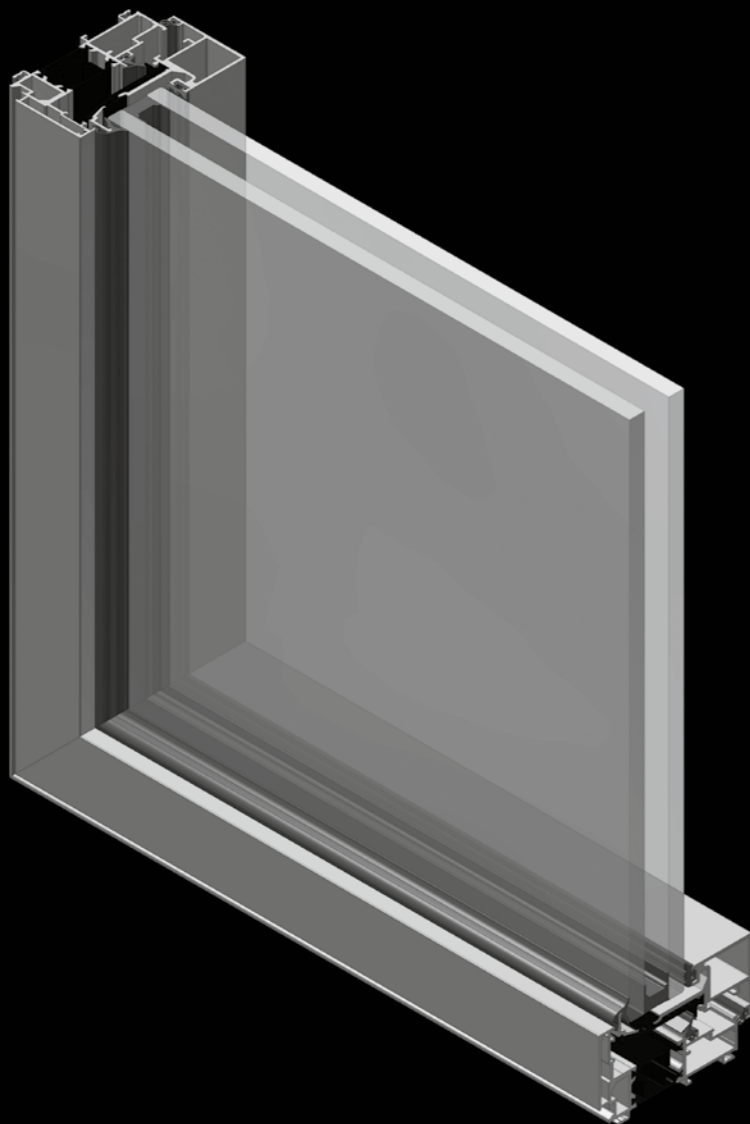
RESPECT FOR CITIES

The Unicity profile allows the creation of large openings, respecting the architectural characteristics of windows of old buildings. Unicity maintains the harmony of building façades, both contemporary and classic. In terms of aesthetics and acoustic and thermal performance, it is one of the best options for renovation in cities.



Architect: Ferran López Photography: Eugeni Pons

UNICITY HI



CHARACTERISTICS

DESIGN

- Involves purely architectural aesthetics. Reduced and consistent mass of aluminium of 55 mm, seen from the outside in the following combinations: fixed, fixed /pane and central inverter of two panes. Straight lines.

DIMENSIONS

- For both opening windows and tilt-and-turn applications, the maximum weight for a pane is 140 kg, for a maximum measurement of approximately 2500 x 1000 mm.

THERMAL INSULATION

- The thermal bridge is broken by two polyamide bars of 34 mm, flush-mounted to prevent water retention in the event of filtration. This, added to the effect of double glazing, reduces thermal losses by 55% compared to a single window. Reaching a value of $U_H = 1.1 \text{ W / m}^2\text{K}$ (balcony 1 pane L 1.25 m x H 2.18 m with triple glazing $U_g = 0.6$).

ACOUSTIC INSULATION

- The average external noise in an urban area is around 60 decibels. A Unicity window with double glazing makes it possible to reduce noise by 40 dB, leaving it at a level that ensures interior comfort.

WATERTIGHTNESS

- The possibility of leaks is eliminated through a composite insulation system by a triple barrier of marine quality EPDM seals, with uninterrupted corners. The outer seal of the pane ensures the watertightness of the whole unit, especially between the pane and the frame.

GLAZING

- Pane with thermal bridge break: from 24 to 38 mm.
- Pane without thermal bridge break: from 28 to 42 mm.
- Fixed: from 20 to 42 mm.
- Glazing is carried out using EPDM marine quality seals.

ACCESSORIES

- 7-pin square handle, with and a without key.
- Locks are managed with a unidirectional recessed cremone bolt hidden in the pane.
- Possibility of 4 or 6 point closure.
- Maximum glazing weight of up to 140 kg per pane.

OPTIONS

- Operable with hinge 2 or 3 bodies.
- Tilt and turn (OB) and swing-swing (BO).
- Casement.
- Hidden fittings: Opening, tilt and turn (OB) and swing-swing (BO).



UNICITY HI

/ AN ELEGANT DESIGN

MODERN AND ELEGANT LINES

- Product tested in ENSATEC according to UNE - EN ISO 10077.1: 2000.
- Aluminium fittings.
- Hidden drainage for well-designed exterior aesthetics.
- Glazing up to 42 mm.



ACCESSORIES

Multiple handle combinations available



TECHNAL
handle design



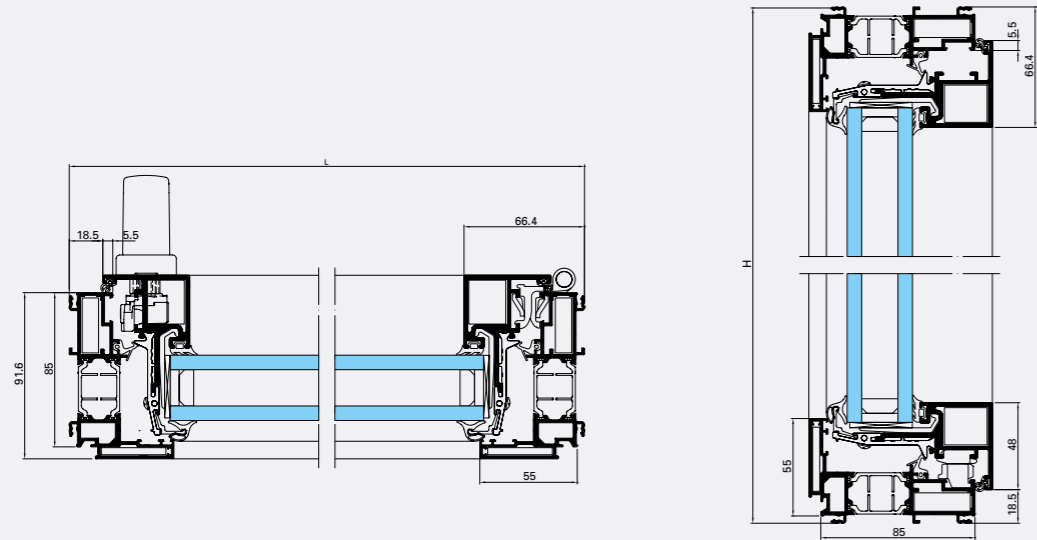
Stainless steel
handle



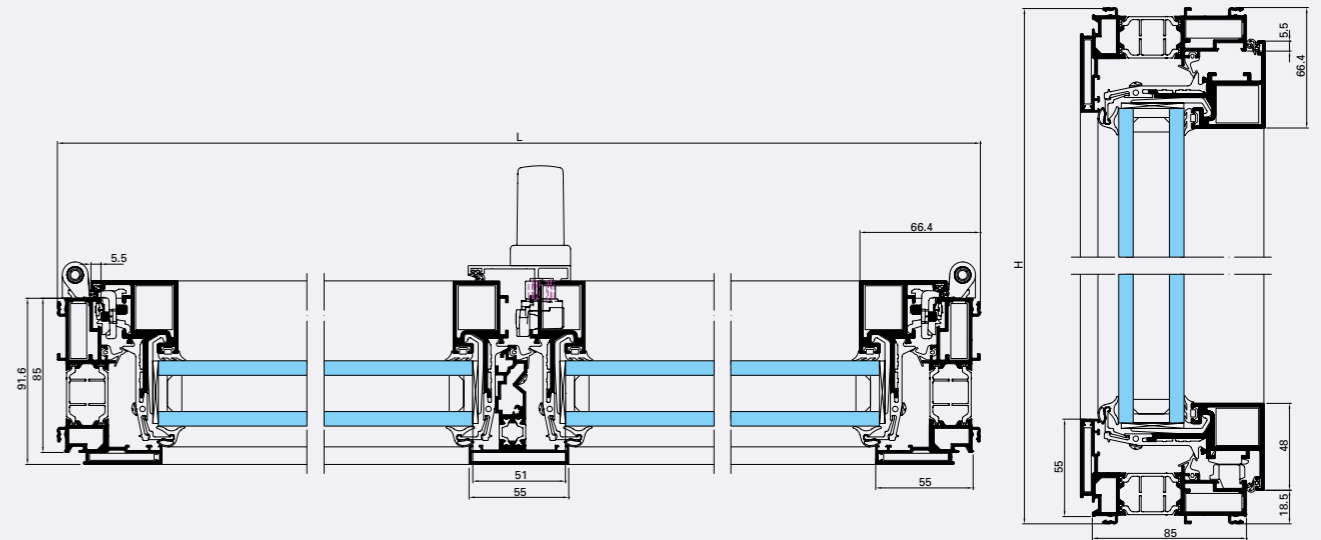
Stainless steel
handle - long version

SECTIONS

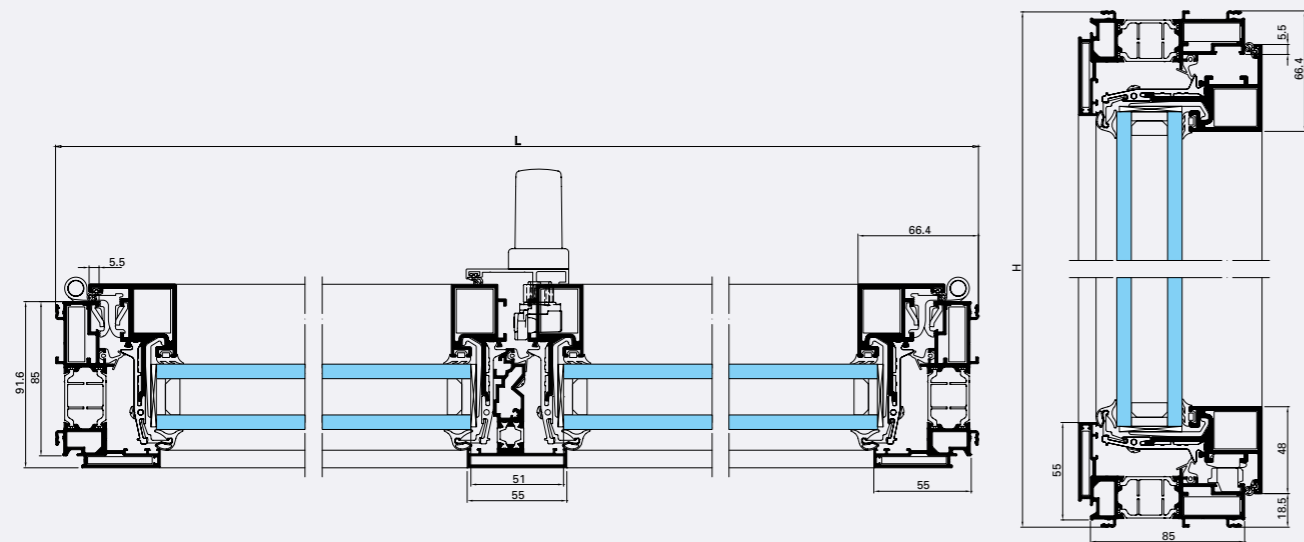
1 PANE



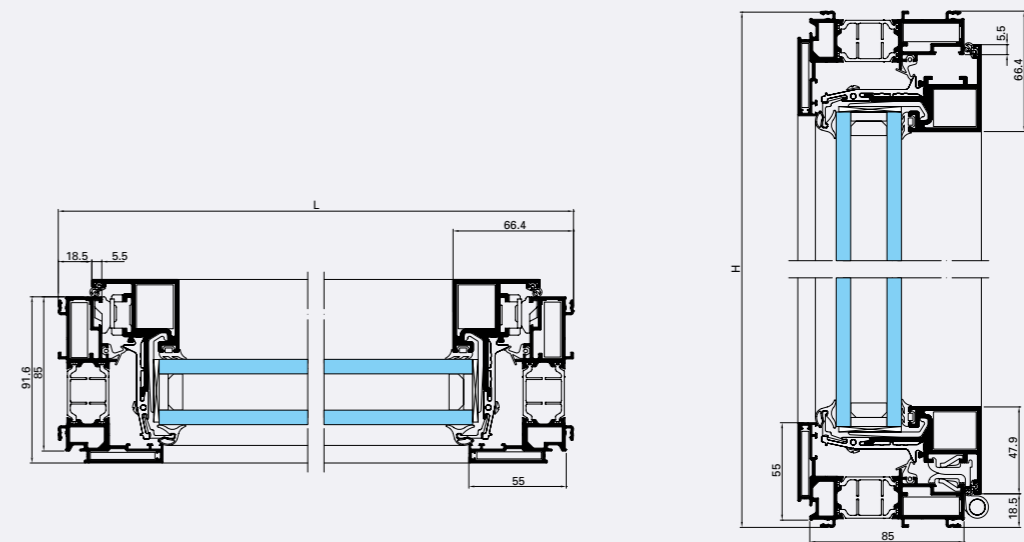
2 PANES - TILT AND TURN



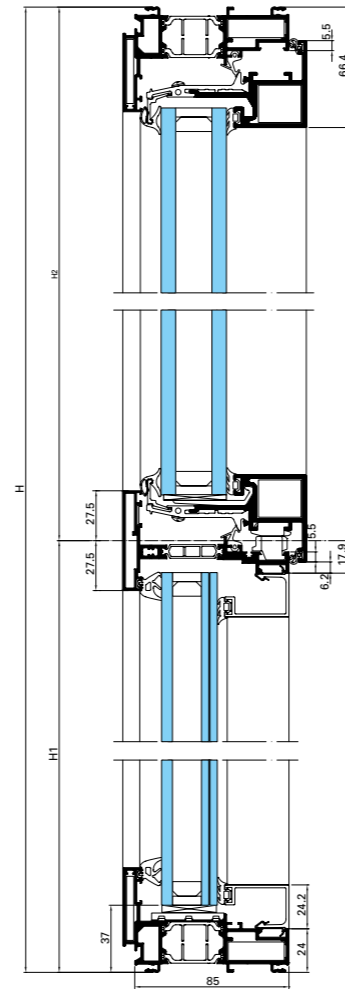
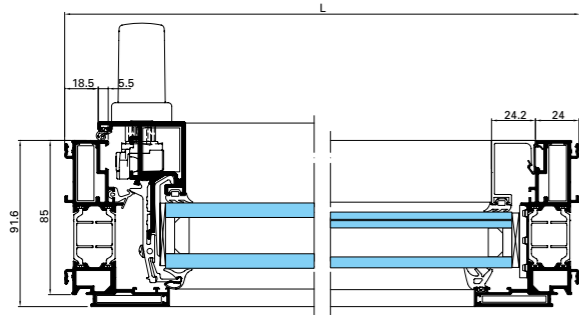
2 PANES



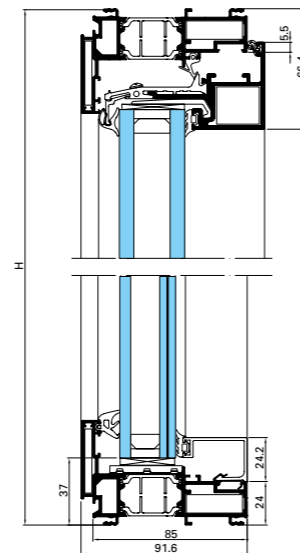
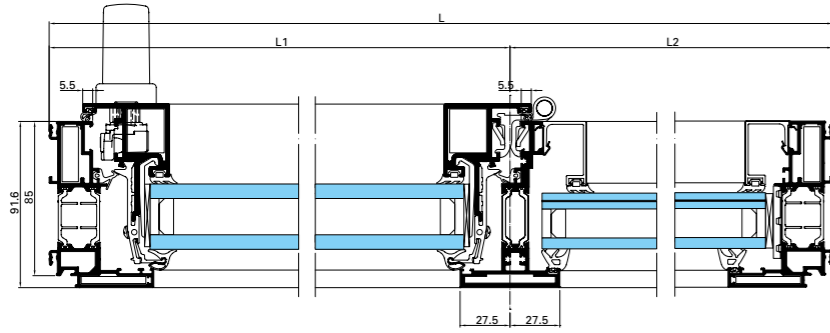
CASEMENT



1 PANE WITH LOWER FITTING

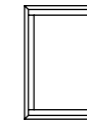


1 PANE WITH SIDE FITTING

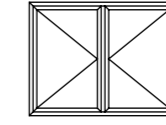
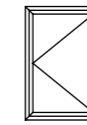


APPLICATIONS

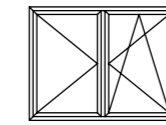
Fixed



1 and 2 pane window



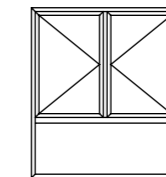
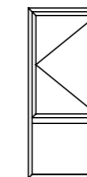
1 and 2 pane tilt and turn window



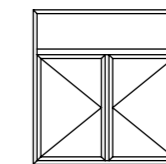
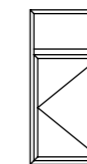
Casement window



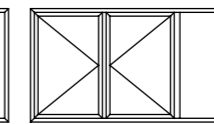
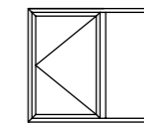
1 and 2 pane window with lower fitting



1 and 2 pane window with upper fitting



1 and 2 pane window with side fitting





UNICITY HI

In terms of its aesthetics and its thermal and acoustic features, Unicity HI is one of the best options for urban renovation.

Architect's office: Rue arquitectura Photography: Aitor Estévez

DIMENSIONS

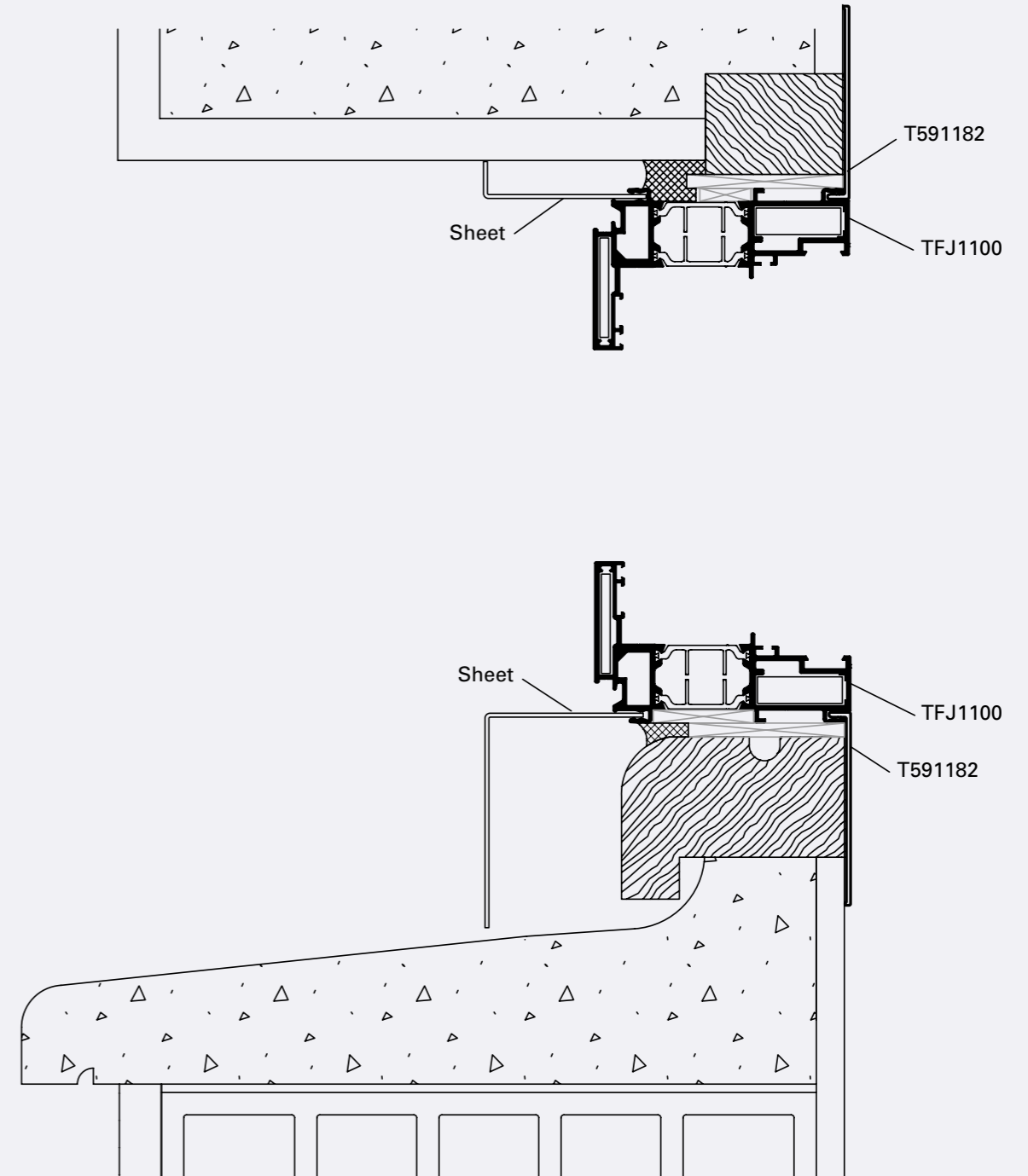
MAXIMUM DIMENSIONS

Type of opening	Max height	Max. length
Opening 1 pane	2500	1000
Opening 2 panes	2500	1500
OB 1 pane	2700	1700

MINIMUM DIMENSIONS

Type of opening	Window measurement	
	Min. height	Min. length
Openable 1 pane	600	600
Openable 2 panes	600	1400
OB 1 pane	650	700

PLACEMENT IN RENOVATION WORKS



FEATURES

ABC RATINGS (AIR, WATER, WIND)						
Applications	Dimensions H x L	Classification			Test N°	
Window OB 1 pane	1,2 x 1,6	4	E1500	C5	242162	
Window OB 2 panes	1,6 x 1,6	4	9A	C4	242161	
Balcony 2 panes	1,6 x 2,25	4	9A	C4	242163	
Balcony 1 pane with side fitting	1,8 x 2,4	4	9A	C3	242159	
Window OB 1 pane (hidden fitting)	1,2 x 1,6	4	E900	C5	242160	

ACOUSTIC RATINGS								
Dimensions of samples L x H (1230 x 1480)								
Application	Glazing	Test N°	Single glazing features			Features window		
			RW (C;Ctr)	RA	RA,tr	RW (C;Ctr)	RA	RA,tr
Window OB 1 pane	8+8.2/14/6+6.2	242000	51 (-1;-5)	50	46	44 (-2;-5)	42	39

According to EN window 14351-1, these features are valid for:
 * Rw + Ctr glazing (based on the RA, Tr index) greater than or equal to the values of the glass tested minus corrections:
 * -1 dB for pane surface from + 50% to + 100% / -2dB for + 100% to + 150% / -3dB for + 150% to + 200%

THERMAL RATING							
UNICITY HI							
		Uw (W/m².K)					
Applications	Dimensions L x H In m		With Ug = 1,1	With Ug = 1,0	With Ug = 0,8	With Ug = 0,7	With Ug = 0,6
Window							
1 pane	1,25 x 1,48	Pane RPT	1,6	1,5	1,4	1,3	1,2
		Pane No RPT	2,1	2,0	1,8	1,7	1,7
2 panes	1,53 x 1,48	Pane RPT	1,7	1,6	1,5	1,4	1,3
		Pane No RPT	2,3	2,2	2,0	1,9	1,9
Balcony							
1 pane	1,25 x 2,18	Pane RPT	1,6	1,5	1,3	1,2	1,1
		Pane No RPT	1,9	1,8	1,7	1,6	1,5
2 panes	1,53 x 2,18	Pane RPT	1,7	1,6	1,4	1,3	1,2
		Pane No RPT	2,1	2,0	1,9	1,8	1,7
Fixed							
Fixed	1,53 x 2,18		1,4	1,4	1,2	1,1	1,0

* Calculations made with intercalary Dg = 0.06 W / mK

MATERIALS AND COMPONENTS

As with all TECHNAL systems, only high-quality materials and components are used to ensure reduced maintenance and optimal long-term performance.

- Extruded aluminium profiles with a 6063 alloy according to UNE 38-337 or 6060 according to UNE 38-350 and T6 temper.
- Accessories are made of aluminium or zamak.
- Seals are made of EPDM or TPE (thermoplastic elastomer).
- Polyamide barriers are extruded from PA6-6 (0.25 FV).
- Screws are made of stainless steel.



Architect's office: GCA Arquitectos Photography: Wenzel

FINISHING

A wide variety of finishings and textures are available to meet the needs of both new projects and renovation. And to provide architects and decorators with great design freedom:

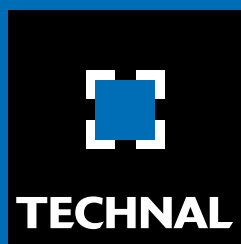
- Anodised according to the QUALANOD quality mark.
- Lacquered in a wide range of colours according to the QUALICOAT quality seal.
- UNICITY is also available in exclusive Technal finishes to give an elegant and contemporary look.



Architects: Óscar Huertas and David López Photography: Wenzel



Architect's office: RGA Photography: Wenzel



IMAGINE WHAT'S NEXT

Camí de Ca n' Atmetller, 18
08195 Sant Cugat del Vallés (Barcelona)
www.technal.es



By  Hydro