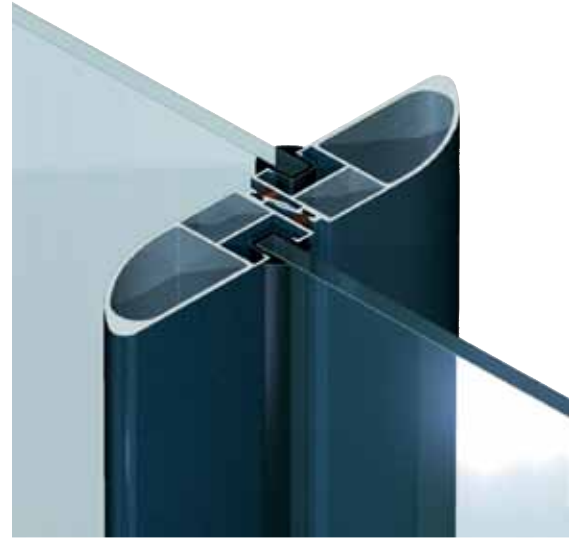


TOPAZE 20 mm

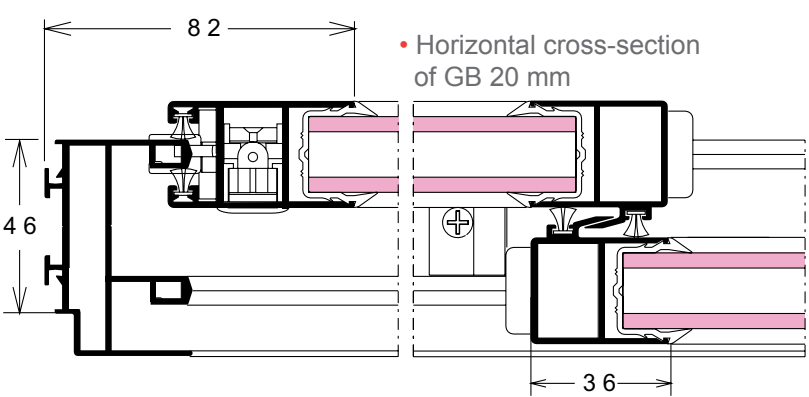
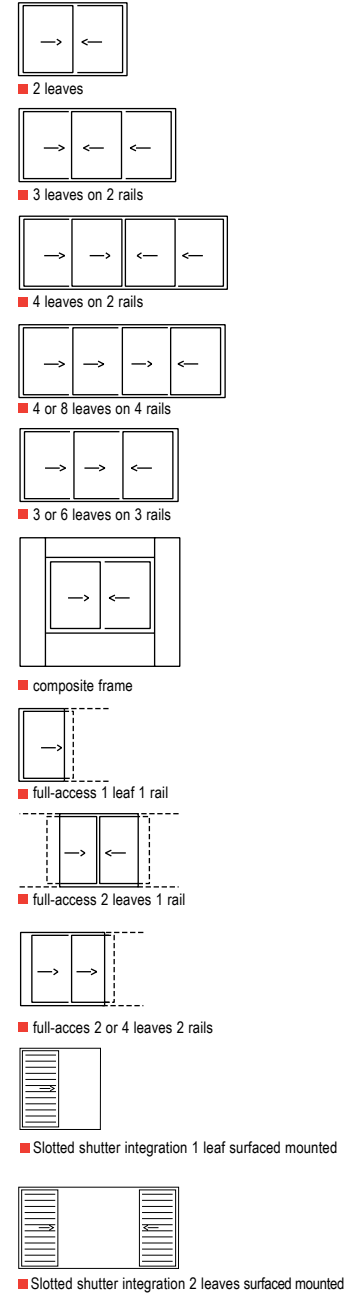


• Hurricane-proof central stiles

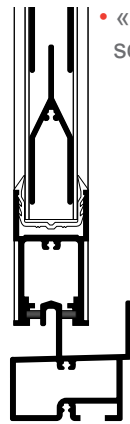
Adapted to tropical areas

- Hurricane resistance (class 5), thanks to the combination of specific reinforced stiles (lateral and central) and double barrier of brush gaskets with central blade enhancing waterproofing
- Reinforced stiles inertia enables to realize sliding windows up to 2.60m high keeping same performances
- This sliding system proposes solutions especially adapted to tropical areas : composition with Safetyline Jalousie, integration of louvers for ventilation and solar protection and fly screen integration

Applications



• «Y» louvers solution



TOPAZE

SLIDING SYSTEMS

Topaze 20mm and Topaze+, 2 versions for sliding windows and patio-doors dedicated to residential market



Hydro Building Systems International • 270 rue Leon Joulin • B.P.63709 • 31037 Toulouse cedex 1 • France
T 00 33 (0)561 312 626 • F 00 33 (0)561 312 600 • www.technal-int.com

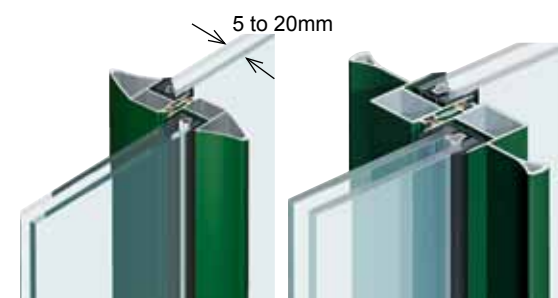
TECHNAL, is a Hydro brand



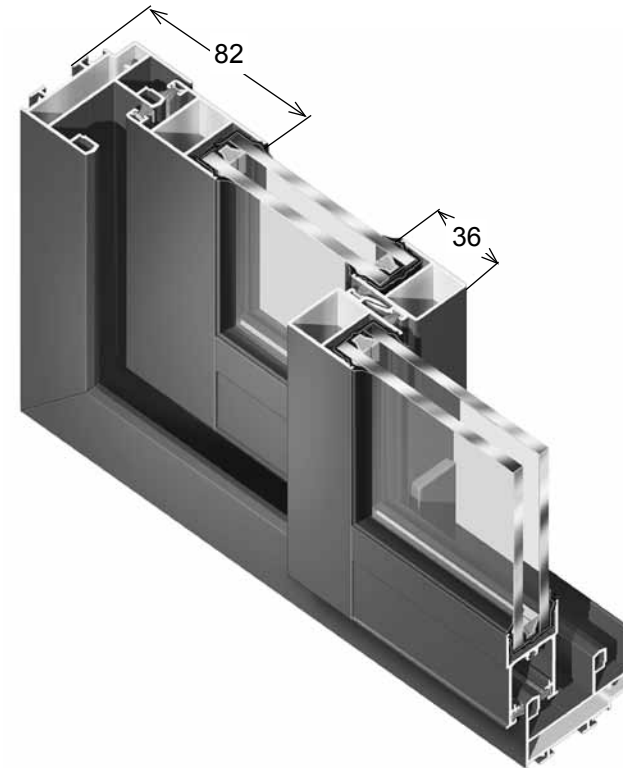
TOPAZE 20 mm

High performance and aesthetic

- Rollers bearing up to **140 Kg per leaf**
- Aluminium rails accommodating 1 to 8 leaves
- Infill from **5mm to 20mm**
- Acoustic performance up to **35dB (A)** for the user comfort
- **Maximum light** due to the very thin stiles
- **2 opening frame aesthetic choices** for a better integration in architectural styles

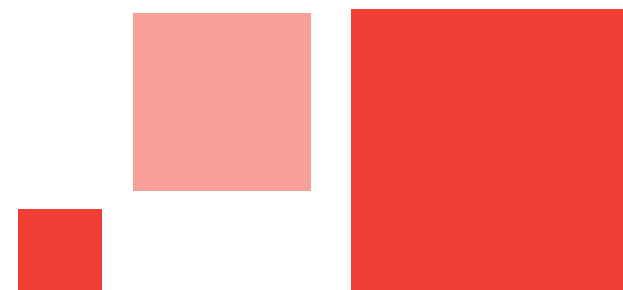


- Reinforced central stiles



A complete lock suite

- Single and double thumb pulls, with key, automatic lock (window)
- 3-point locks for more security
- Pull handle with thumb pull (window and patio-door)



TOPAZE +

High quality sliding system

- Robustness : opening and closing test up to **20000 cycles**, this product guarantees strength and durability in use. Up to **200Kg per leaf**
- Glass thickness, from **6mm to 24mm**, for better acoustic, insulation performances and reinforced security
- **Meticulous details** : all the accessories in the color of the window, no visible fixation, reduced glazing gasket



- Thumb pull with 2, 3 or 4-points lock

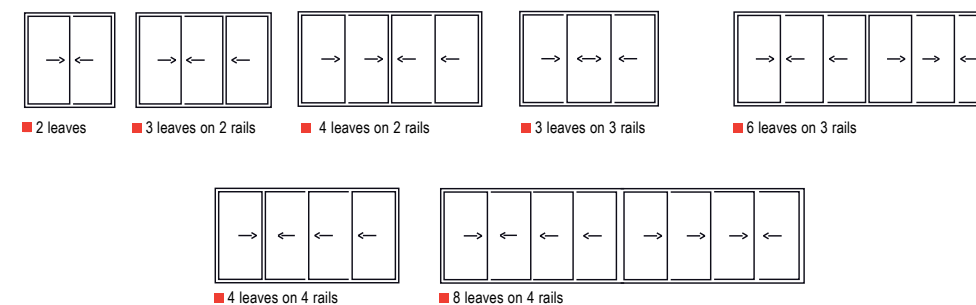


- Single thumb pull

Attention to details

- Locks: 1 -point thumb pull, up to 4-points locks with handle and key or lever thumb pull
- On the bottom rail, an aluminium or stainless steel additional roller track guarantees the durability

Applications

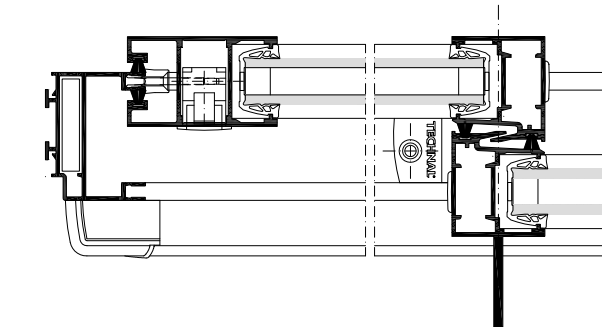


Various designs

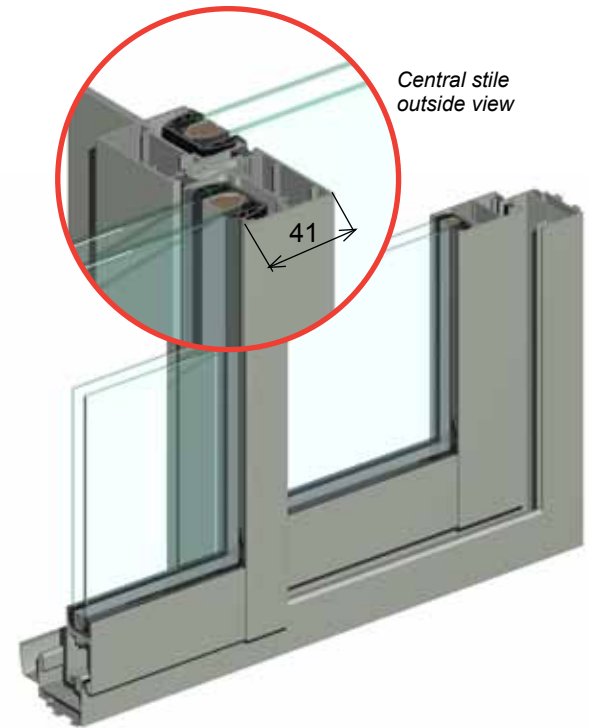
In alternative to the rounded design of the sashes, Topaze+ offers a straight design version to meet the requirements of modern architecture... tidy aesthetic, and thin sections.

Straight design

- Central stile: 41mm
- Straight design lateral upright
- Reinforced central and lateral uprights for big dimensions

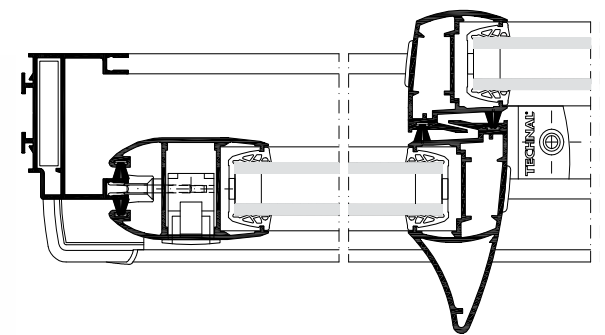


- Horizontal cross-section of Topaze+ straight design



Rounded design

- Central stile: 41mm
- Rounded lateral upright
- Reinforced central and lateral uprights for big dimensions



- Horizontal cross-section Topaze+ rounded design

